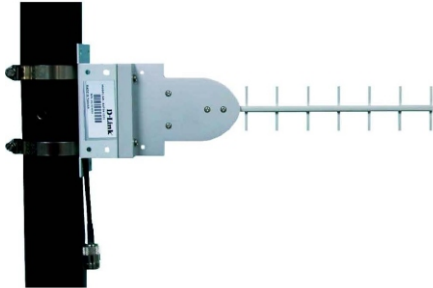


## ANT24-1201



## KEY FEATURES

- 2.4GHz Frequency Range
- Swivel Mount for Directional Orientation
- Weatherproof & Corrosion Resistant

## Outdoor 8dBi Gain Omni-Directional Antenna

The D-Link ANT24-1201 Directional Yagi High Gain Outdoor Antenna with surge arrester and N to SMA pigtail 0.5m is ideal for point-to-point environment.

### TECHNICAL SPECIFICATIONS

#### Electrical Specifications

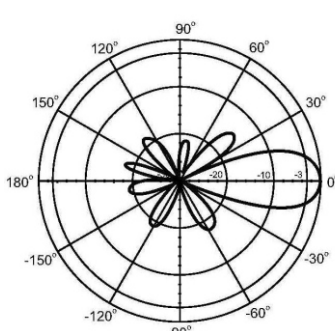
- Frequency Range
  - 2400 MHz-2500 MHz
- Gain: 12 dBi
- VSWR 1.5:1 Max
- Polarization: Linear, Vertical
- HPBW
  - Horizontal - 50°
  - Vertical- 50°

- Front to Back Ratio: 15dB
- Downtilt: 0°
- Power handling: 50W (cw)
- Impedance: 50 Ohms Nominal
- Connector
  - N Female or SMA Female
- Cable UL198; 32cm

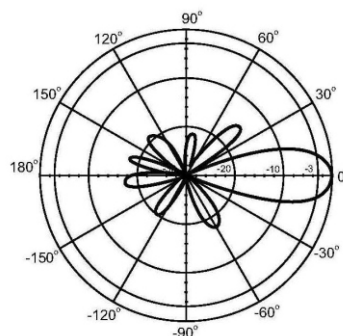
#### Environmental & Mechanical Characteristics

- Survival wind speed: 216 km/hr
- Operating Temperature
  - -40°C to 80°C

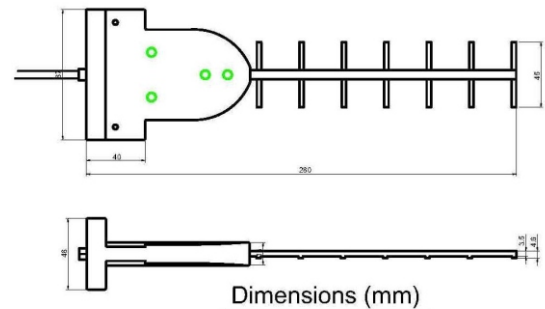
- Humidity: 100% to 25°C
- Lightning protection: DC ground
- Radome color: Gray-White
- Radome Material
  - ABS, UV resistant
  - Fire Retardant
- Weight: 0.3 kgw
- Dimensions
  - 280 x 87 x 48 mm



Horizontal



Vertical



©2007 D-Link India Ltd. All rights reserved.  
Users agree to indemnify, defend and hold D-Link harmless from and against all losses, expenses, damages, including reasonable costs and fees, arising out of or relating to any misuse by the Users of the Product or of the information or content provided in this document.

Call us at: 1-800-222-002, 91-22-2844 7600  
E-mail: sales@dlink.co.in  
www.dlink.co.in

### Ordering Information:

**ANT24-1201**  
2400 ~ 2500 MHz Frequency range,  
N & SMA Female Connector, 50 Ohm  
nominal Impedance

